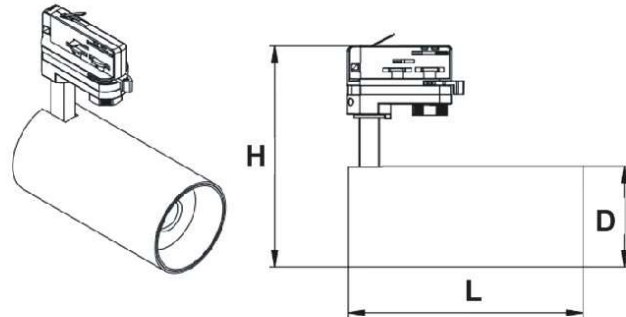


**Product Image**



**Line Drawing**



**Product description:**

Multi-function track luminaires operate with three –circuit track and is ideal for museums, art galleries, hotels, retails, high-end residential and commercial spaces. This grouping provides professional styled functional and general lighting from cold forging aluminum profiles and built-in Bridgelux COB LEDs without any visual heat sinks. These LED luminaires offer various beam angles, high luminous flux and excellent color rendering.

**Structure features**

- Body material: cold forging Aluminum .
- Optical system: Optic lens
- Surface treatment: Abrasion resistant powder coat
- Adjustable direction: Horizontal 0°~355°, Vertical 0~90°
- Accessories: Optic accessory is optional.
- IP class: IP20
- Environmental temperature: -20°C~40°C
- Lighting source: Bridgelux COB LED

**Product specifications**

- LED power: dimming 1~30W
- LED Lumens: >100lm/w @4000k
- Lighting source life: >50000h
- CCT /CRI: 2700k~6500K , >Ra90
- SDCM: 3 SDCM
- Input Voltage: 220-240V/AC, 50/60Hz
- Dimming control: on-board dimming (Dim range: 5%~100%)
- Weight: About 0.8kg, No package

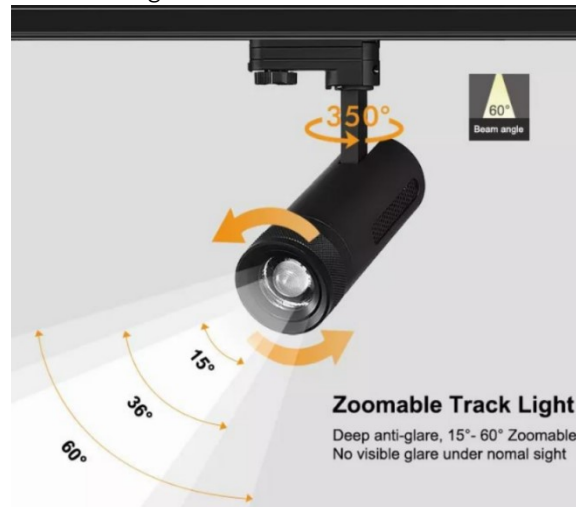
**Order Number**

Mode	Size(L*H*D)	Power	Beam	CCT	Finish
GT22	C 172*170*72mm	DM: dimming 0~100% Max 20W 10 10W 15 15W	Z Zoomable 12° ~60°	CW :adjustable 2700~6500K 30 3000K 40 4000K	WT white BK black
GT22	D 188*175*80mm	DM: dimming 0~100% Max 30W 10 10W 15 15W	Z Zoomable 12° ~60°	CW :adjustable 2700~6500K 30 3000K 40 4000K	WT white BK black

Example: GT22CDM-Z-CWBK

## Rorate Freely and Zoomable functional module

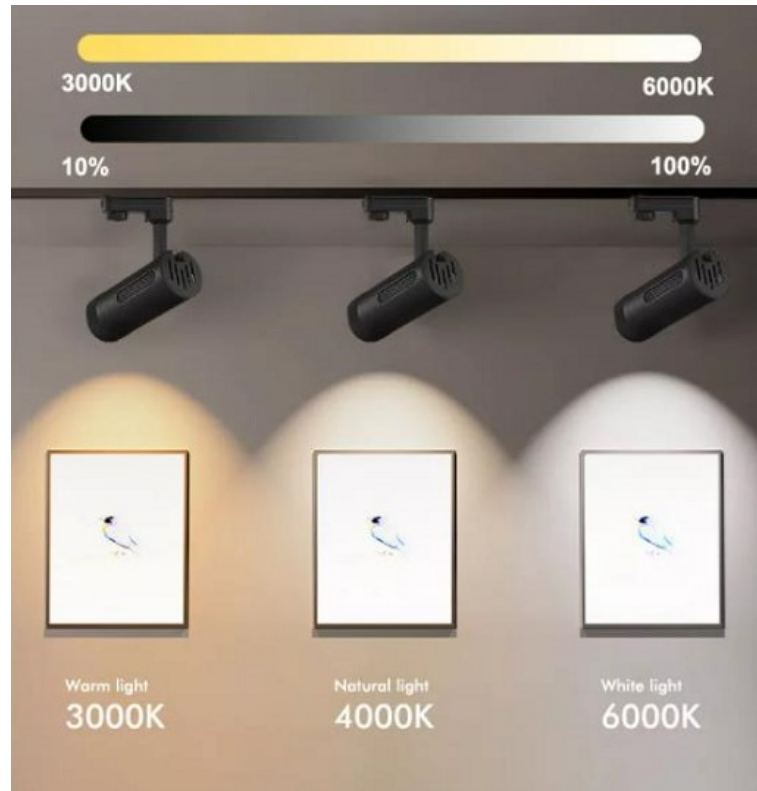
The lamp body can be rotated 90° vertically and 355° horizontally. Under zoomable module, you can adjust the lens to get any beam angle from 12°-60° beam angle which can only be used on track light.



## Knob dimming & CCT Adjustment

A kind of mini dimmer which can be turned smoothly. There is no flicker during the 0-100% dimming process.

By using this function module, you can choose any one of CCT (2700k~6500K) on one lamp . The lighting efficiency can reach 100lm/W under CRI>90. This function helps customers to reduce the inventory pressure and to adapt to flexible market.



## Applications

This product is suitable for the lighting for calligraphy and painting in museums, art galleries, art exhibitions, etc.; it is also suitable for high end hotels, restaurants, and other settings in which high-quality light projection is required. The user can determine the spot size of the light based on optical data in the figure above. For example: 1 m \* 1 m square spot requires a minimum installation distance of 2.5 M.

