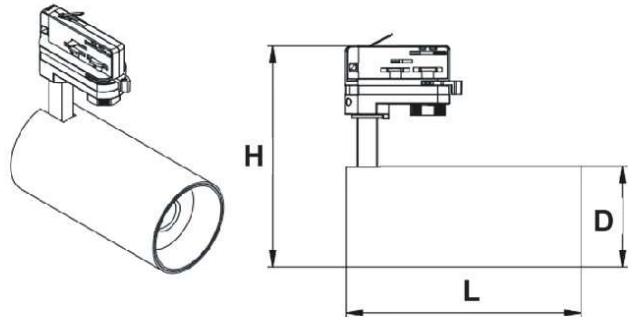


Product Image



Line Drawing



Product description:

Multi-function track luminaires operate with three –circuit track and is ideal for museums, art galleries, hotels, retails, high-end residential and commercial spaces. This grouping provides professional styled functional and general lighting from cold forging aluminum profiles and built-in Bridgelux COB LEDs without any visual heat sinks. These LED luminaires offer various beam angles, high luminous flux and excellent color rendering.

Structure features

- Body material: cold forging Aluminum .
- Optical system: Optic lens
- Surface treatment: Abrasion resistant powder coat
- Adjustable direction: Horizontal 0°~355°, Vertical 0~90°
- Accessories: Optic accessory is optional.
- IP class: IP20
- Environmental temperature: -20°C~40°C
- Lighting source: Bridgelux COB LED

Product specifications

- LED power: dimming 1~30W
- LED Lumens: >100lm/w @4000k
- Lighting source life: >50000h
- CCT /CRI: 2700k~6500K , >Ra90
- SDCM: 3 SDCM
- Input Voltage: 220-240V/AC, 50/60Hz
- Dimming control: on-board dimming (Dim range: 5%~100%)
- Weight: About 0.8kg, No package

Order Number

Mode	Size(L*H*D)	Power	Beam	CCT	Finish
GT22	A 186*170*72mm	DM: dimming 0~100% Max 20W 10 10W 20 20W	1 12° 2 24° 3 36° 4 50°	CW : adjustable 2700~6500K 27: 2700K 40 4000K	WT white BK black
GT22	B 187*175*80mm	DM: dimming 0~100% Max 30W 10 10W 20 20W	1 12° 2 24° 3 36° 4 50°	CW : adjustable 2700~6500K 27: 2700K	WT white BK black

Example: GT22BDM-1-CWBK

Rorate Freely

The lamp body can be rotated 90° vertically and 355° horizontally.



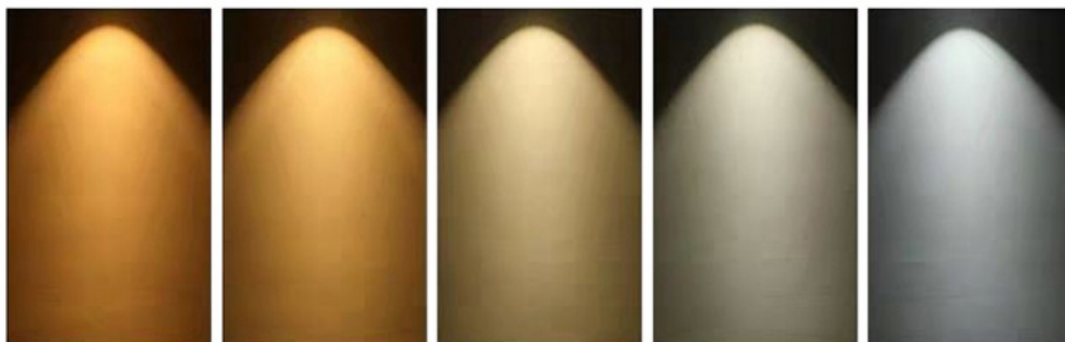
Knob dimming & CCT Adjustment

A kind of mini dimmer which can be turned smoothly. There is no flicker during the 0-100% dimming process.

By using this function module, you can choose any one of CCT (2700k~6500K) on one lamp . The lighting efficiency can reach 100lm/W under CRI>90. This function helps customers to reduce the inventory pressure and to adapt to flexible market.



CCT Adjustment create more atmosphere and adapt to more scenes



Applications

This product is suitable for the lighting for calligraphy and painting in museums, art galleries, art exhibitions, etc.; it is also suitable for high end hotels, restaurants, and other settings in which high-quality light projection is required. The user can determine the spot size of the light based on optical data in the figure above. For example: 1 m * 1 m square spot requires a minimum installation distance of 2.5 M.

